

Service  
Service  
**Service**



# Service Manual

## TABLE OF CONTENTS

	Page
Location of PCBs.....	1-2
Specifications .....	1-3
Measurement Setup .....	1-4
Service Aids, Safety Instruction, etc .....	1-5
CD Playability Check.....	1-6 to 1-8
Software Version Checking .....	2
Set Block Diagram.....	3
Set Wiring Diagram .....	4
Main Board .....	5
Front/MCU Board .....	6
Set Mechanical Exploded View & Parts List.....	7
Electrical Parts List.....	8
Revision List.....	9



© Copyright 2008 Philips Consumer Electronics B.V. Eindhoven, The Netherlands  
 All rights reserved. No part of this publication may be reproduced, stored in a retrieval system or transmitted, in any form or by any means, electronic, mechanical, photocopying, or otherwise without the prior permission of Philips.

Published by SL 0837 Service Audio

Printed in The Netherlands

Subject to modification

GB 3141 785 32032

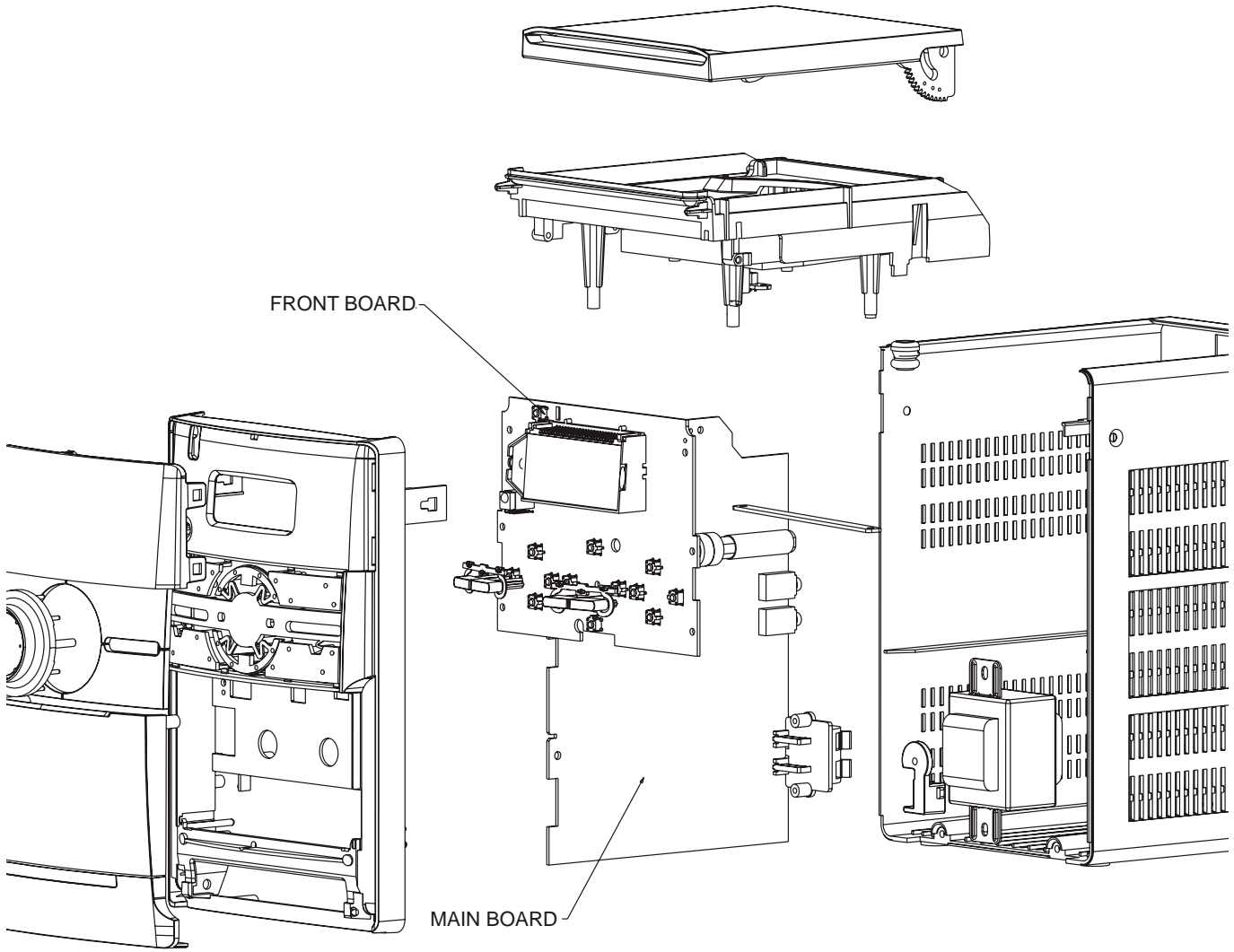


Version 1.2



# PHILIPS

# PCBS LOCATION



## SPECIFICATIONS

### AMPLIFIER

Output power ..... 2 x 2W RMS  
 Signal-to-noise ratio .....  $\geq 60$  dBA (IEC)  
 Frequency response ..... 125 – 16000 Hz  
 Impedance loudspeakers ..... 8 $\Omega$

### CD PLAYER

Frequency range ..... 125 – 16000 Hz  
 Signal-to-noise ratio ..... 65 dBA

### TUNER

FM wave range ..... 87.5 – 108 MHz  
 MW wave range ..... 530 – 1700 kHz  
 Sensitivity  
 – FM 26 dB sensitivity ..... 20  $\mu$ V  
 – MW 26 dB sensitivity ..... 5 mV/m  
 Total harmonic distortion .....  $\leq 5\%$

### SPEAKERS

Bass reflex system  
 Dimensions (w x h x d) .. 134 x 230 x 152 (mm)

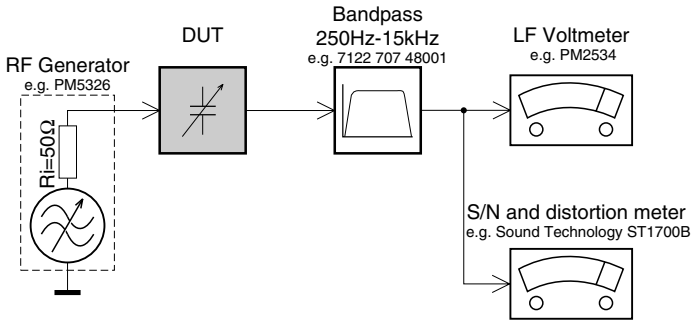
### GENERAL INFORMATION

AC Power ..... 110 – 127 / 220 – 240 V  
 ..... 50/60 Hz, switchable  
 Dimensions (w x h x d) .. 148 x 233 x 216 (mm)  
 Weight (with/without speakers) .....  
 ..... approx. 3.65 / 1.53 kg  
 Power consumption  
 Active ..... 15 W  
 Standby ..... < 4 W

***Specifications and external appearance are subject to change without notice.***

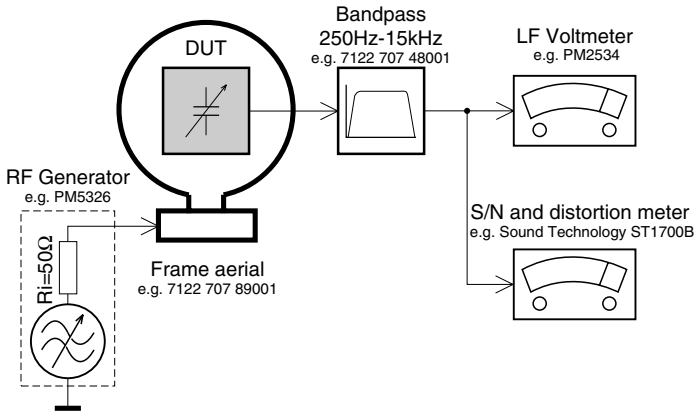
**MEASUREMENT SETUP**

**Tuner FM**



Use a bandpass filter to eliminate hum (50Hz, 100Hz) and disturbance from the pilotone (19kHz, 38kHz).

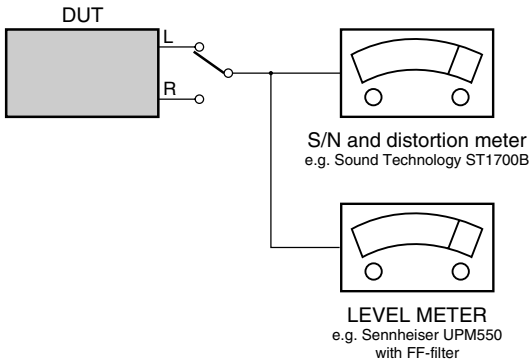
**Tuner AM (MW,LW)**



To avoid atmospheric interference all AM-measurements have to be carried out in a Faraday's cage.  
Use a bandpass filter (or at least a high pass filter with 250Hz) to eliminate hum (50Hz, 100Hz).

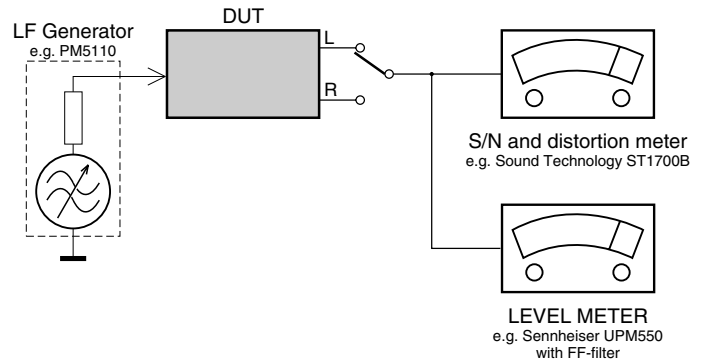
**CD**

Use Audio Signal Disc SBC429 4822 397 30184  
(replaces test disc 3)



**Recorder**

Use Universal Test Cassette **CrO2** SBC419 4822 397 30069  
or Universal Test Cassette **Fe** SBC420 4822 397 30071



## SERVICE AIDS

### Service Tools:

Universal Torx driver holder .....	4822 395 91019
Torx bit T10 150mm .....	4822 395 50456
Torx driver set T6-T20 .....	4822 395 50145
Torx driver T10 extended .....	4822 395 50423

### Compact Disc:

SBC426/426A Test disc 5 + 5A .....	4822 397 30096
SBC442 Audio Burn-in test disc 1kHz .....	4822 397 30155
SBC429 Audio Signals disc .....	4822 397 30184
Dolby Pro-logic Test Disc .....	4822 395 10216




### WARNING

All ICs and many other semi-conductors are susceptible to electrostatic discharges (ESD). Careless handling during repair can reduce life drastically.  
When repairing, make sure that you are connected with the same potential as the mass of the set via a wrist wrap with resistance. Keep components and tools also at this potential.

### ESD



Safety regulations require that the set be restored to its original condition and that parts which are identical with those specified, be used

Safety components are marked by the symbol .

**CLASS 1  
LASER PRODUCT**

## INFORMATION ABOUT LEAD-FREE SOLDERING

Philips CE is producing lead-free sets from 1.1.2005 onwards.

### IDENTIFICATION:

Regardless of special logo (not always indicated) one must treat all sets from 1 Jan 2005 onwards, according next rules:



- On our website [www.atyourservice.ce.Philips.com](http://www.atyourservice.ce.Philips.com) you find more information to:
  - \* BGA-de-/soldering (+ baking instructions)
  - \* Heating-profiles of BGAs and other ICs used in Philips-sets
  - \* Lead free

You will find this and more technical information within the "magazine", chapter "workshop news".

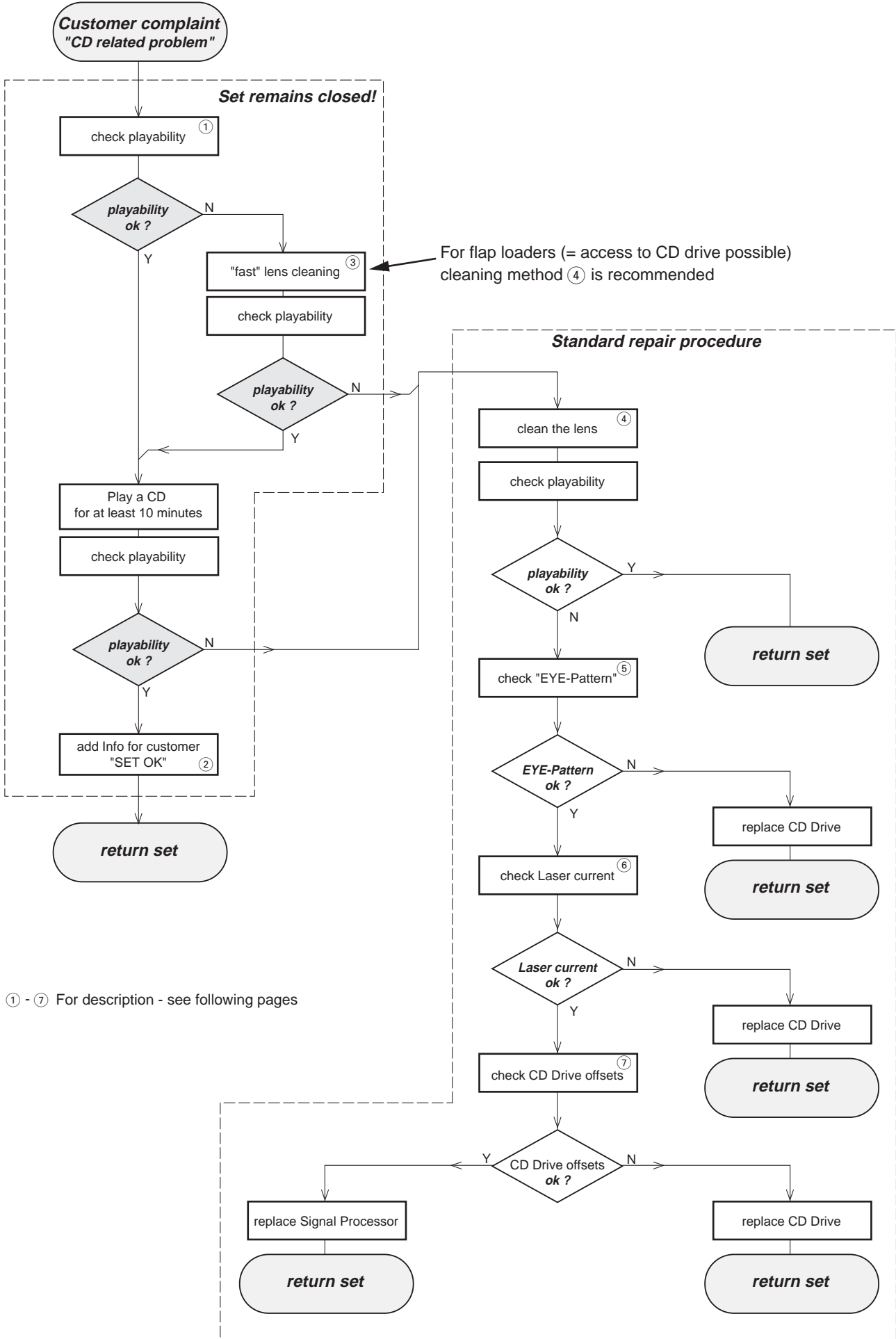
For additional questions please contact your local repair-helpdesk.

## SERVICE INSTRUCTION

Safety regulations require that after a repair, the set must be returned in its original condition. Pay in particular attention to the following points:

- Route the wire trees correctly and fix them with the mounted cable clamps.
- Check the insulation of the AC Power lead for external damage.
- Check the strain relief of the AC Power cord for proper function.
- Check the electrical DC resistance between the AC Power Plug and the secondary side (only for sets which have a AC Power isolated power supply):
  1. Unplug the AC Power cord and connect a wire between the two pins of the AC Power plug.
  2. Set the AC Power switch to the "on" position (keep the AC Power cord unplugged!).
  3. Measure the resistance value between the pins of the AC Power plug and the metal shielding of the tuner or the aerial connection on the set. The reading should be larger than 4.5 Mohm (For U.S. it should be between 4.2 Mohm and 12 Mohm).
  4. Switch "off" the set, and remove the wire between the two pins of the AC Power plug.
- Check the cabinet for defects, to avoid touching of any inner parts by the customer.

# INSTRUCTIONS ON CD PLAYABILITY



# INSTRUCTIONS ON CD PLAYABILITY

①

## PLAYABILITY CHECK

For sets which are compatible with **CD-RW** discs  
 use CD-RW Printed Audio Disc.....7104 099 96611  
 TR 3 (Fingerprint)  
 TR 8 (600µ Black dot) **maximum at 01:00**

- playback of these two tracks without audible disturbance  
 playing time for: Fingerprint ≥10seconds  
 Black dot from 00:50 to 01:10
- jump forward/backward (search) within a reasonable time

For all other sets  
 use CD-DA SBC 444A.....4822 397 30245  
 TR 14 (600µ Black dot) **maximum at 01:15**  
 TR 19 (Fingerprint)  
 TR 10 (1000µ wedge)

- playback of all these tracks without audible disturbance  
 playing time for: 1000µ wedge ≥10seconds  
 Fingerprint ≥10seconds  
 Black dot from 01:05 to 01:25
- jump forward/backward (search) within a reasonable time

②

## CUSTOMER INFORMATION

It is proposed to add an addendum sheet to the set which informs the customer that the set has been checked carefully - but no fault was found. The problem was obviously caused by a scratched, dirty or copy-protected CD. In case problems remain, the customer is requested to contact the workshop directly. The lens cleaning (method ③) should be mentioned in the addendum sheet.

The final wording in national language as well as the printing is under responsibility of the Regional Service Organizations.

③

## FAST LENS CLEANING (dry brush)

Use lens cleaning CD  
 SBC AC300.....9082 100 00043

Insert the lens cleaning CD, press PLAY and follow the voice guide's instructions on the CD.

④

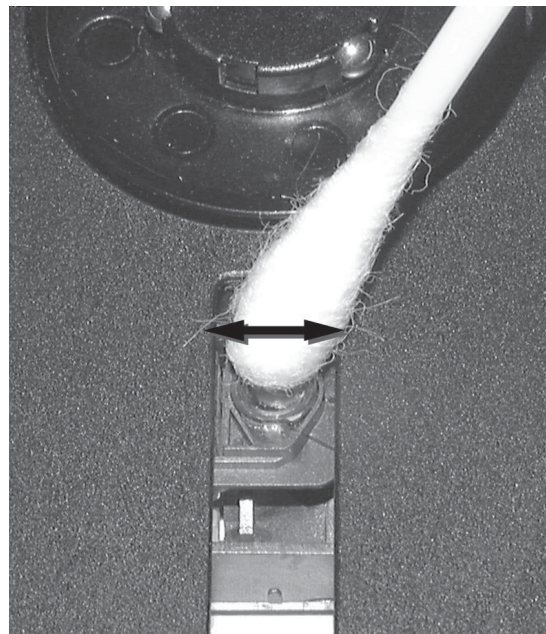
## LIQUID LENS CLEANING

**Before touching the lens it is advised to clean the surface of the lens by blowing clean air over it. This to avoid that little particles make scratches on the lens.**

Because the material of the lens is synthetic and coated with a special anti-reflectivity layer, cleaning must be done with a non-aggressive cleaning fluid. It is advised to use "Cleaning Solvent B4-No2", available with codenumber 4822 389 10026.

The actuator is a very precise mechanical component and may not be damaged in order to guarantee its full function. Clean the lens gently (don't press too hard) with a soft and clean cotton bud moistened with the special lens cleaner.

The direction of cleaning must be in the way as indicated in the picture below.

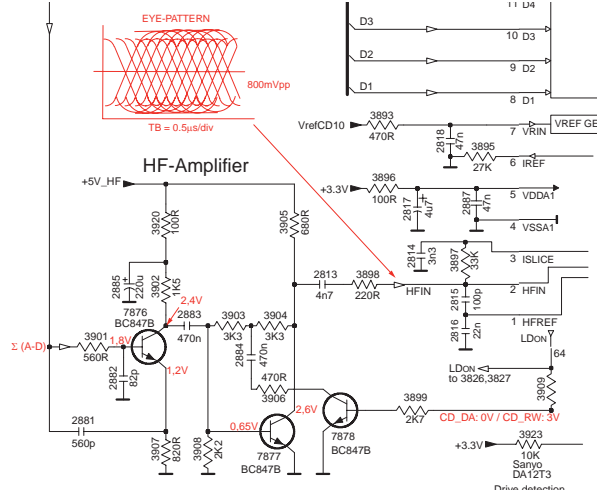


# INSTRUCTIONS ON CD PLAYABILITY

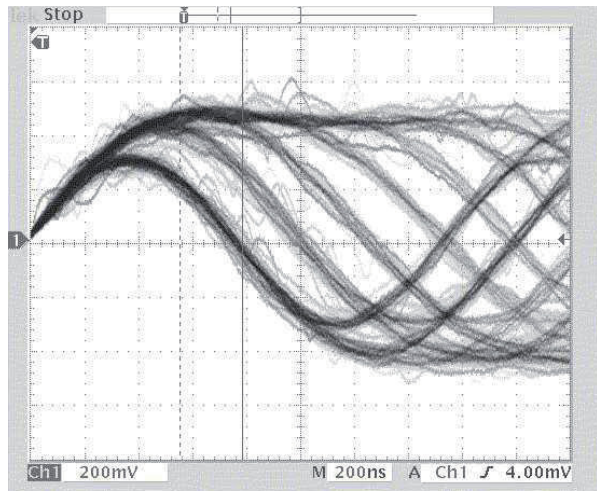
5

## EYE-PATTERN SIGNAL – JITTER MEASUREMENT

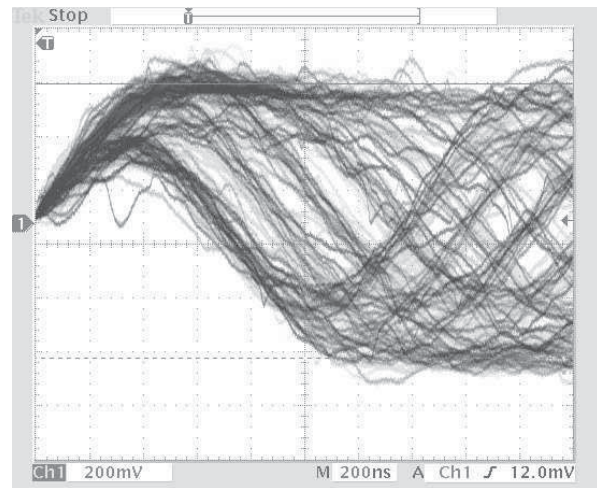
Measure the signal on the input of the Signal processor using an **analog** oscilloscope. Please find the exact measuring point in your Service Manual.



See below examples of the signal. Amplitude should read at least 700mVpp using SBC444A.



good



bad

If the oscilloscope shows a signal like the 'bad' one, and/or the amplitude decreases within 1 minute - the CD drive has to be replaced.

6

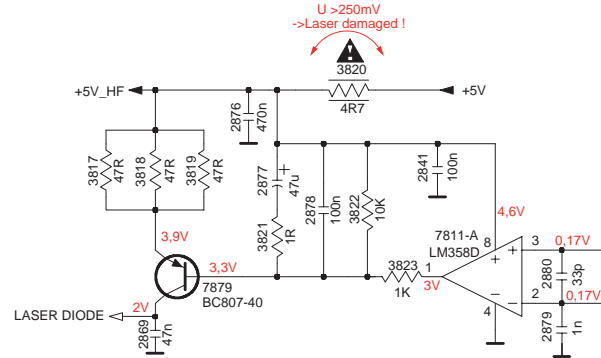
## CD DRIVE – LASER CURRENT MEASUREMENT

The laser current can be measured as a voltage drop on a resistor. The resistor is marked in every Service Manual. The value depends on the type of CD drive.

	typical value	most probably defect
VAMxxxx	: 150-230mV	≥350mV
MCDxx	: 170-230mV	≥300mV
DA1x	: 210-250mV	≥350mV
DA2x	: 175-200mV	≥250mV

Use SBC444A (CD-DA) for measurement.

### Laser power control



7

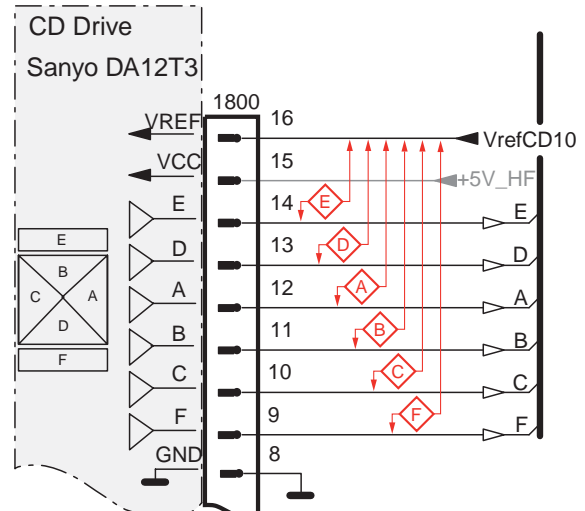
## CD DRIVE – OFFSET MEASUREMENT

The photodiodes of the CD-drive may have an offset. These offsets have to be compensated by the signal processor. High offsets can lead to poor playability of some CDs (skipping tracks).

To measure the offset values, start the **Service Test Program** - section "Focus Test" without a CD.

The offsets can be measured with a DC Millivoltmeter directly on the connector (see drawing below). Pin numbering varies from drive to drive.

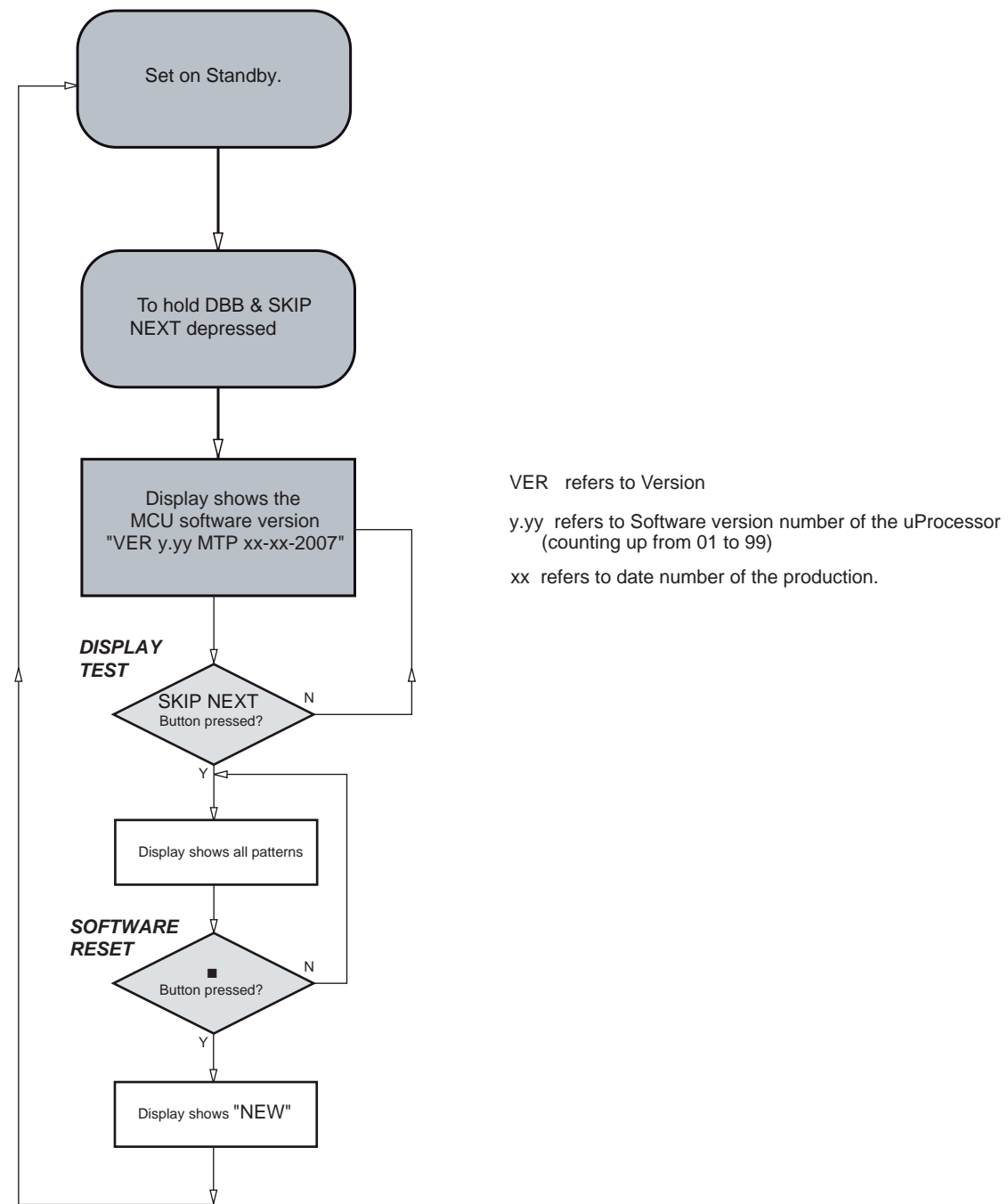
The values from diode A-D should read  $0 \pm 10mV$ . Diodes E and F are less critical.



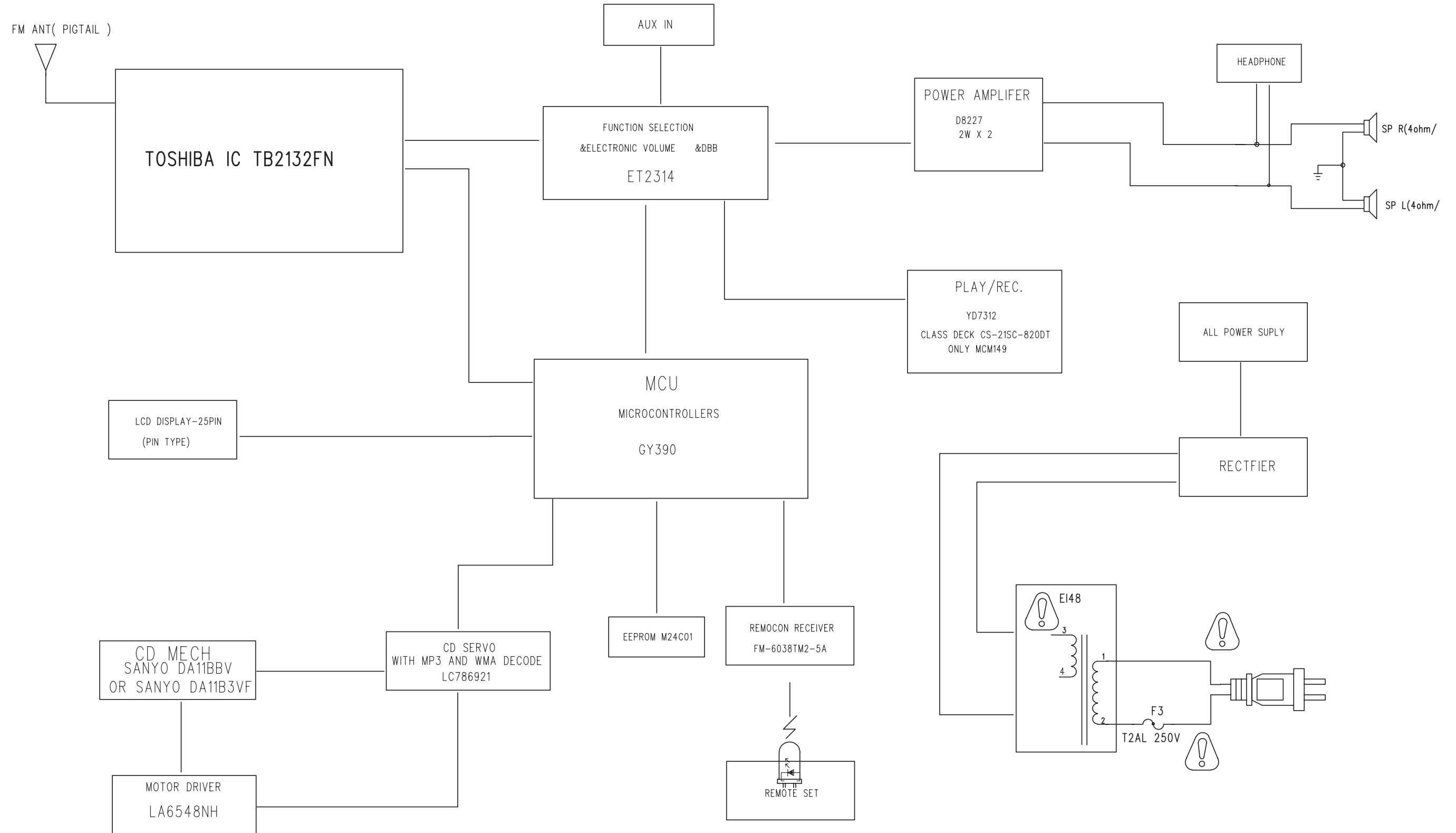
If one of the offsets is higher than  $\pm 10mV$  the CD drive has to be replaced. Otherwise replace the Signal Processor.



## SOFTWARE VERSION CHECKING

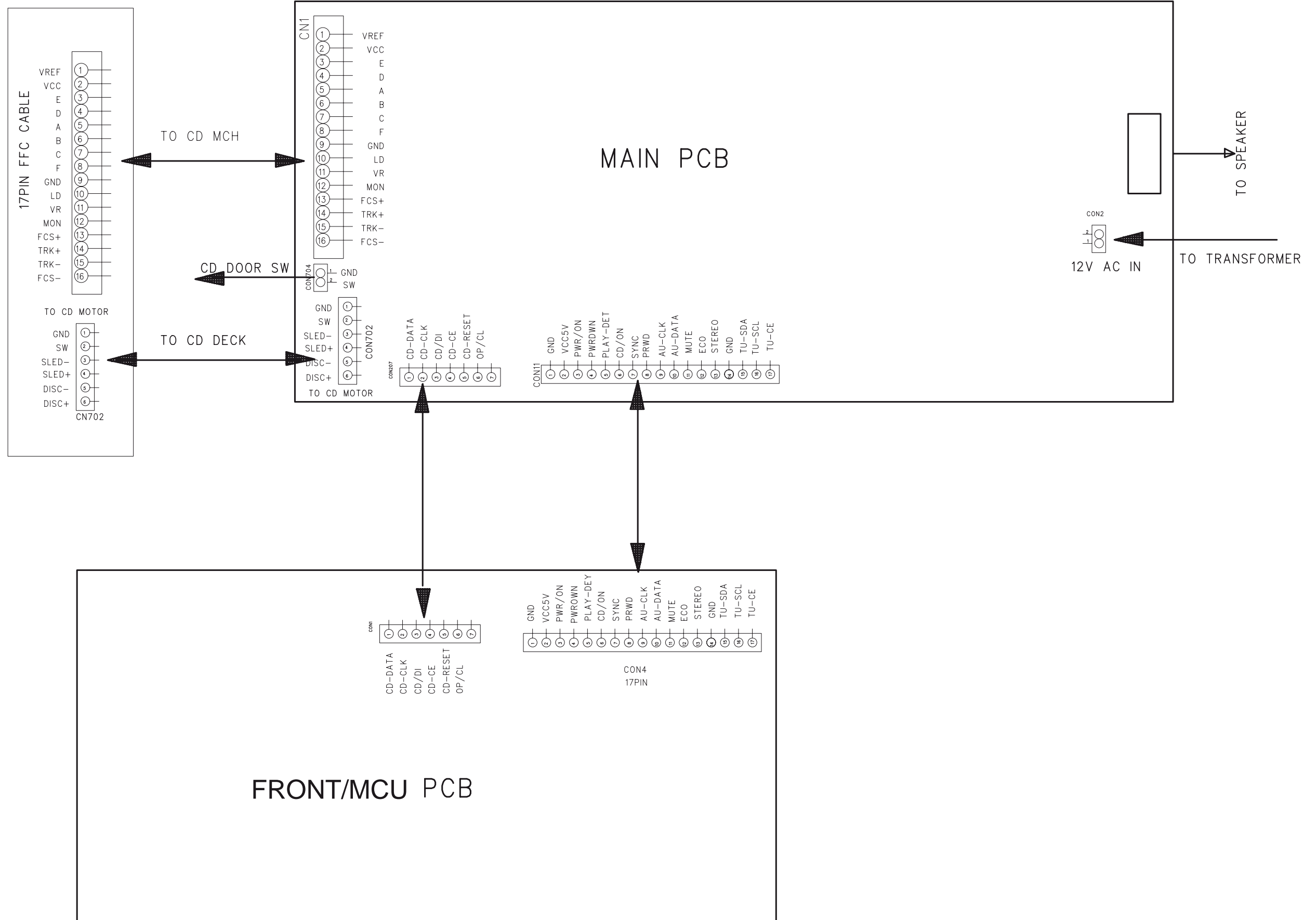


# SET BLOCK DIAGRAM



# SET WIRING DIAGRAM

## CD DECK



---

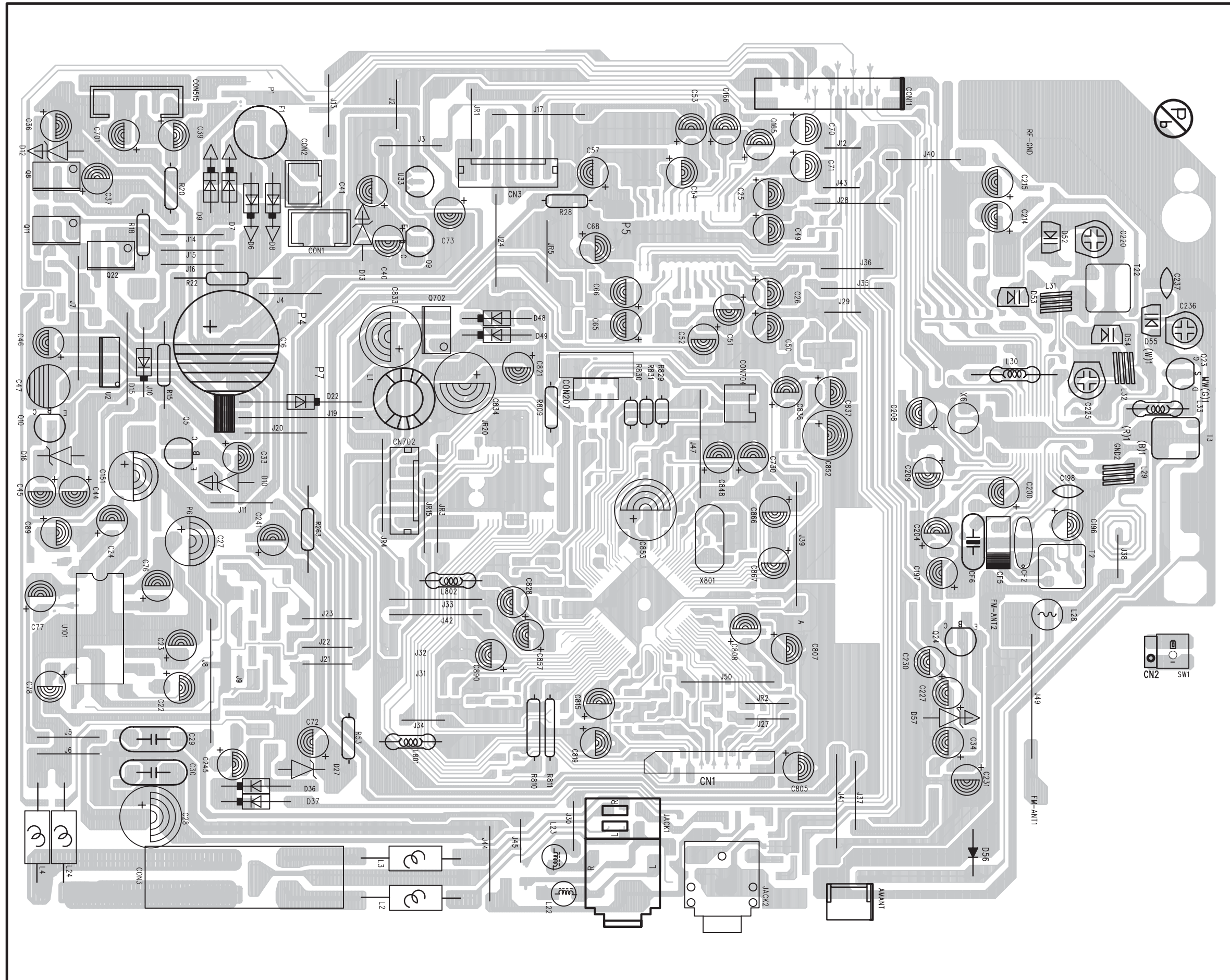
# MAIN BOARD

---

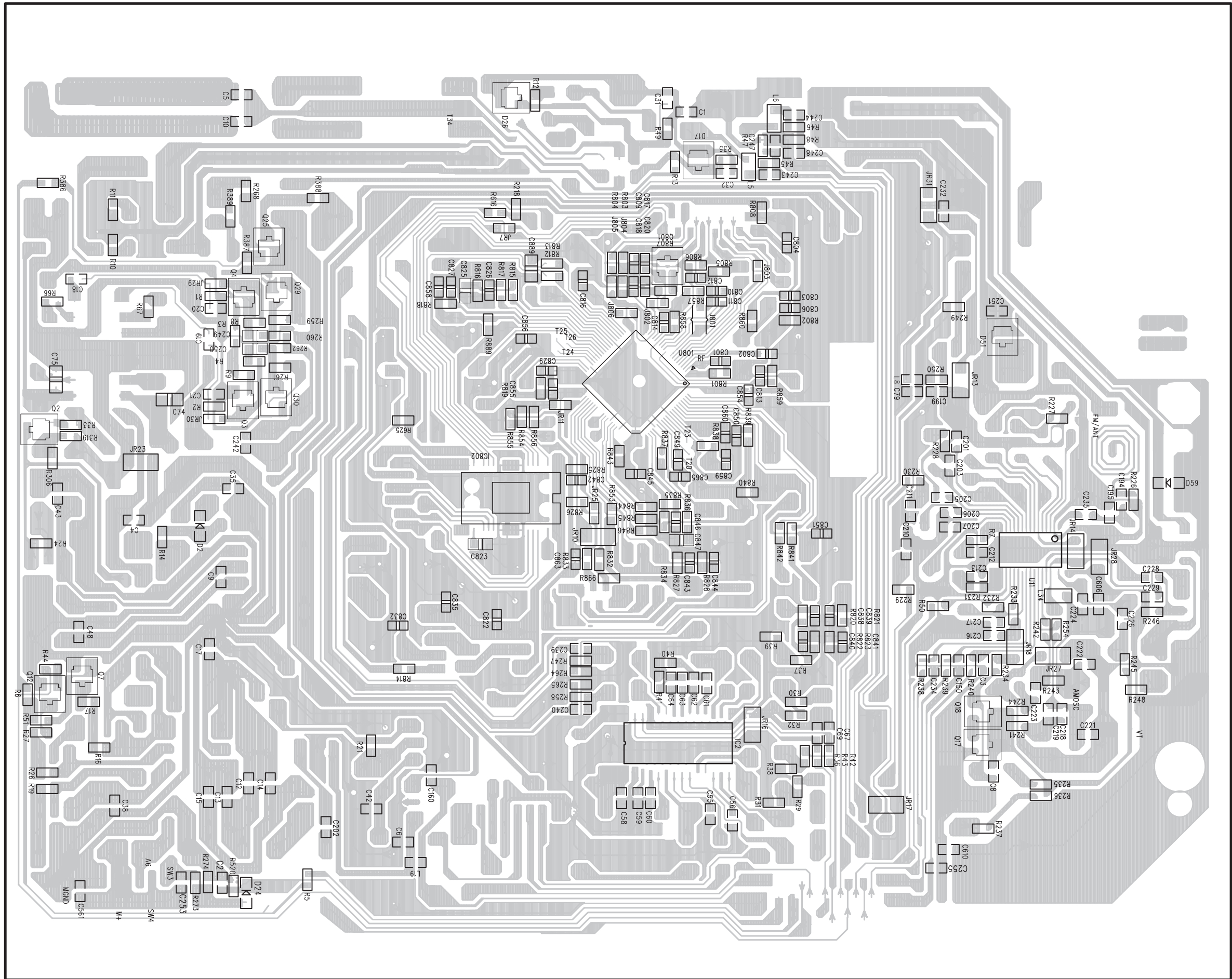
## TABLE OF CONTENTS

Layout Top View .....	5-2
Layout Bottom View .....	5-3
Circuit Diagram (AF&Amp Part) .....	5-4
Circuit Diagram (CD&MP3 Part).....	5-5
Circuit Diagram (Tuner Part) .....	5-6

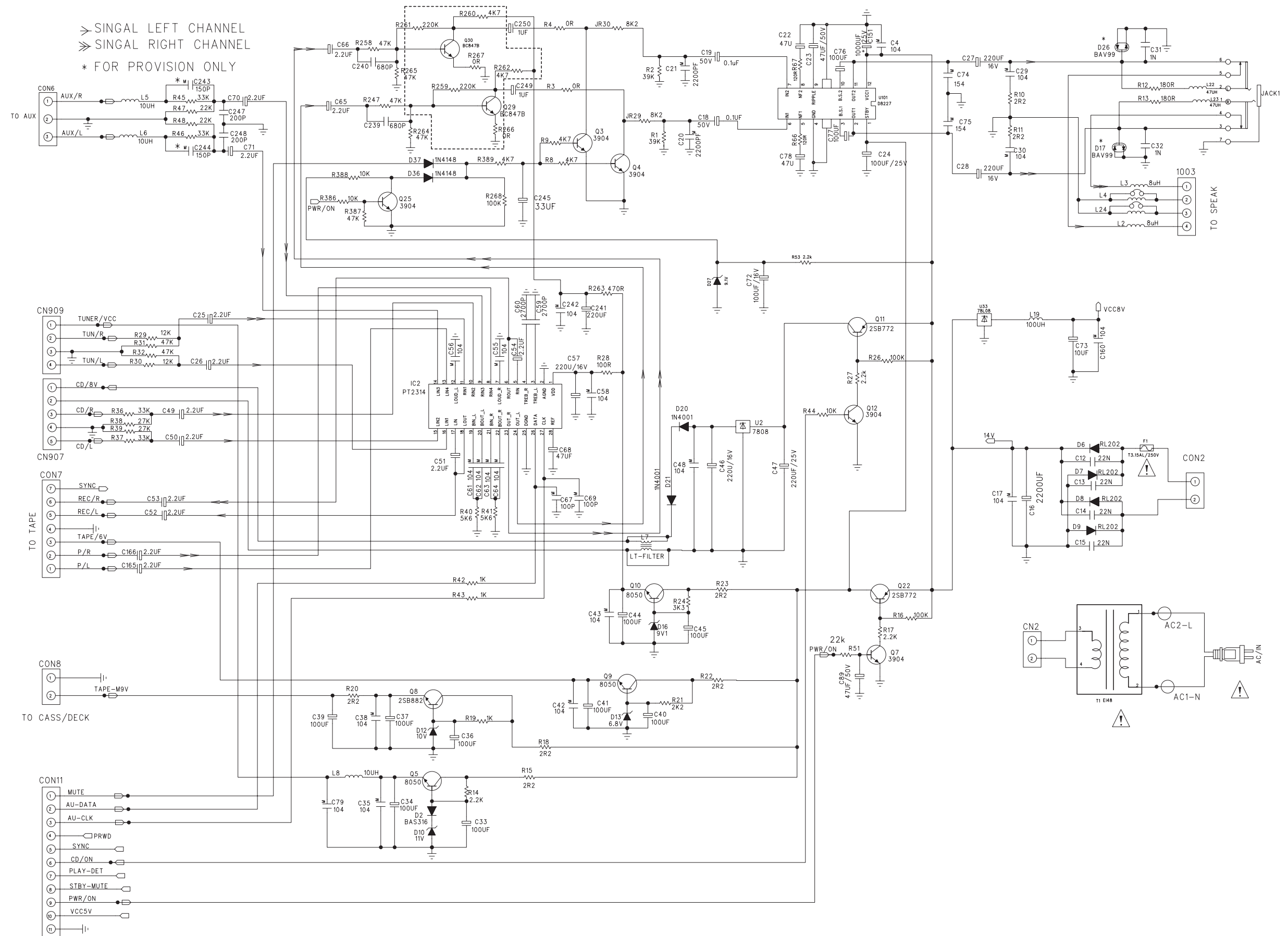
# PCB LAYOUT - MAIN BOARD (TOP VIEW)



PCB LAYOUT - MAIN BOARD (BOTTOM VIEW)

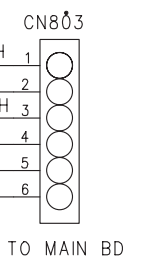
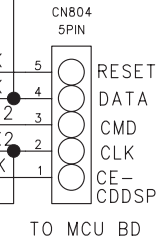
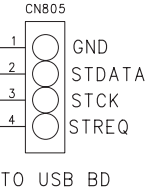
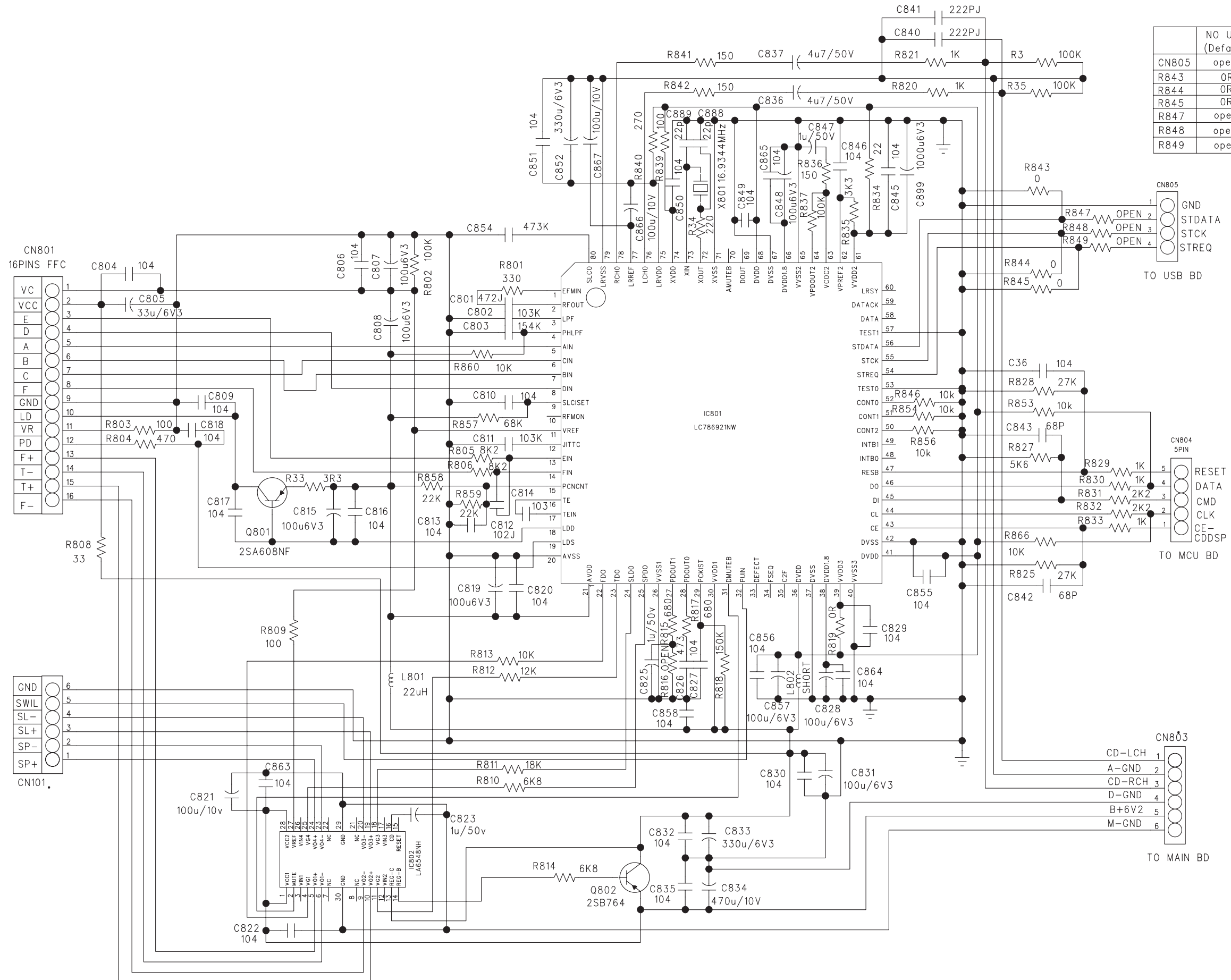


# CIRCUIT DIAGRAM - MAIN & POWER BOARD AF & AMP PART



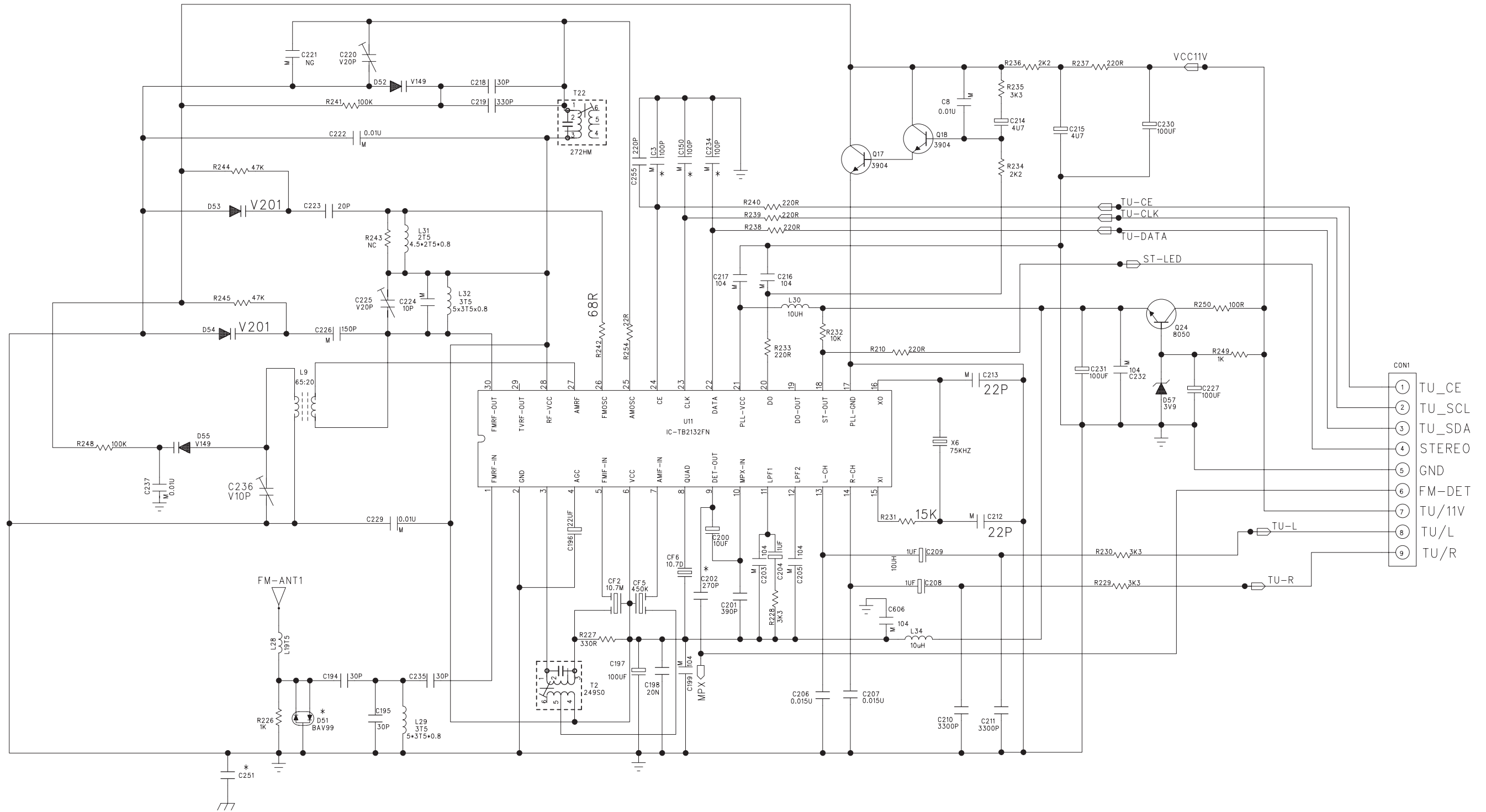
**CIRCUIT DIAGRAM - MAIN BOARD  
CD & MP3 PART**

	NO USB (Default)	USB Stream
CN805	open	PH-4P
R843	OR	OPEN
R844	OR	OPEN
R845	OR	OPEN
R847	open	OR
R848	open	OR
R849	open	OR





# CIRCUIT DIAGRAM - MAIN BOARD TUNER PART



---

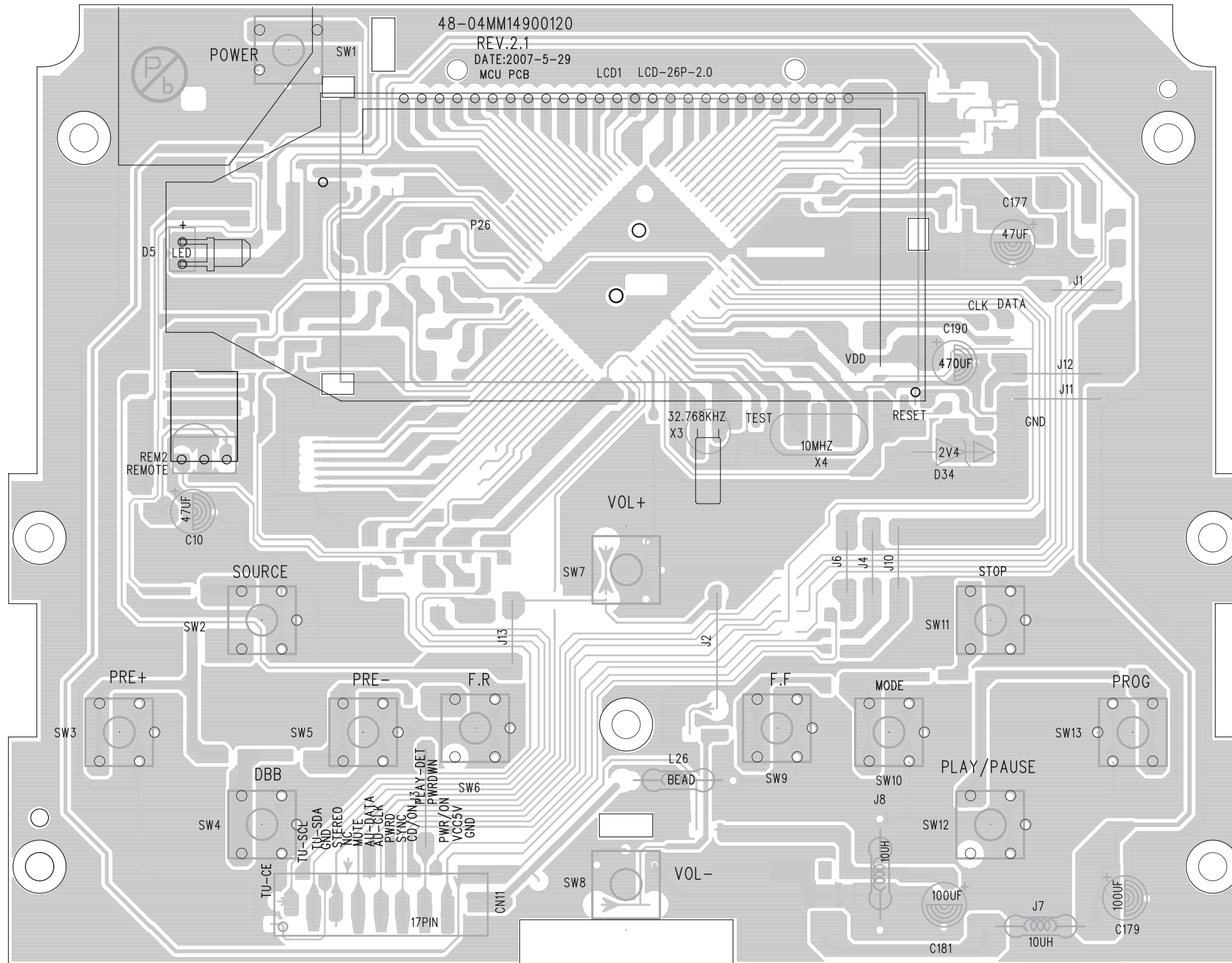
# FRONT/MCU BOARD

---

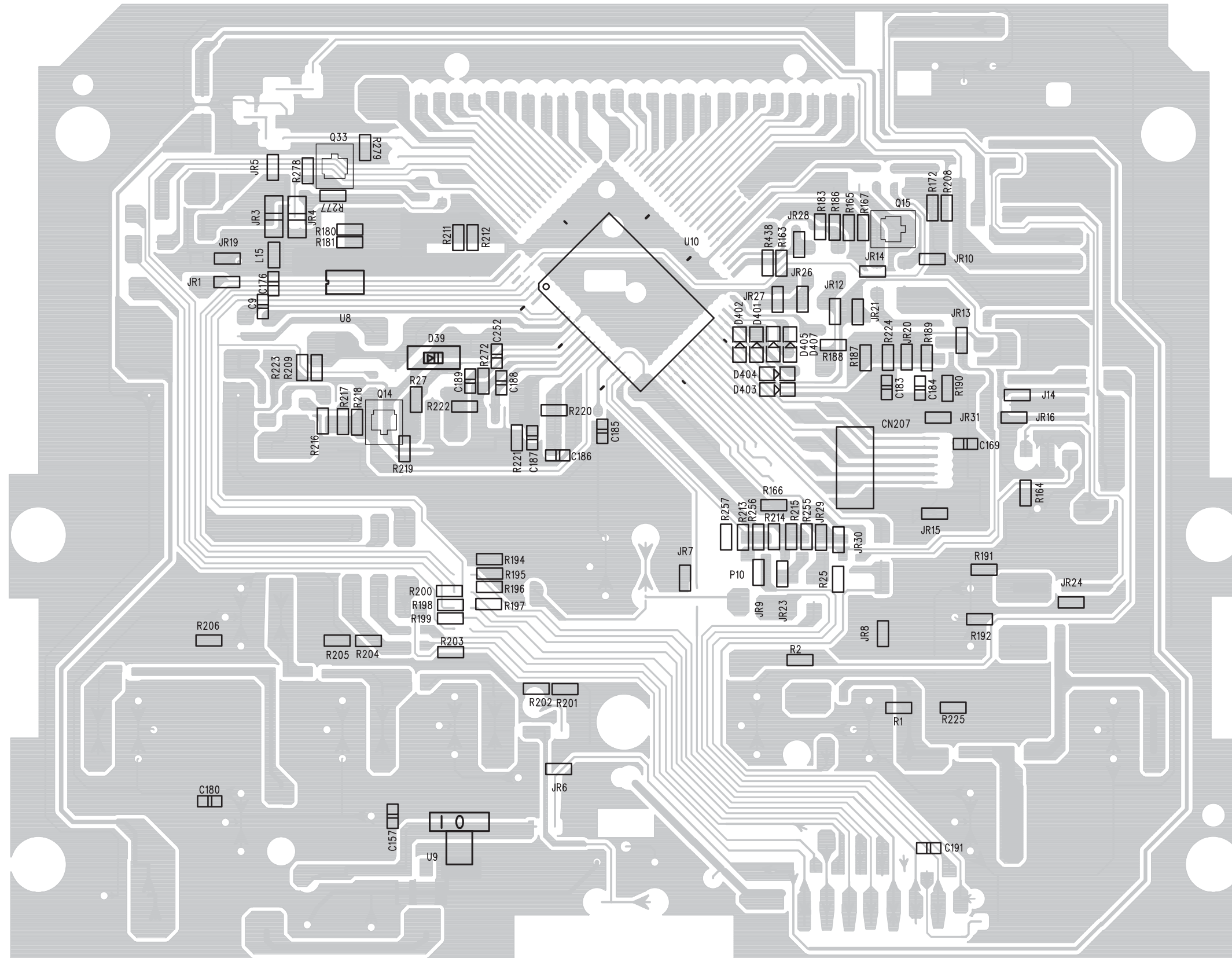
TABLE OF CONTENTS

Layout Top View ..... 6-2  
Layout Bottom View..... 6-3  
Circuit Diagram..... 6-4

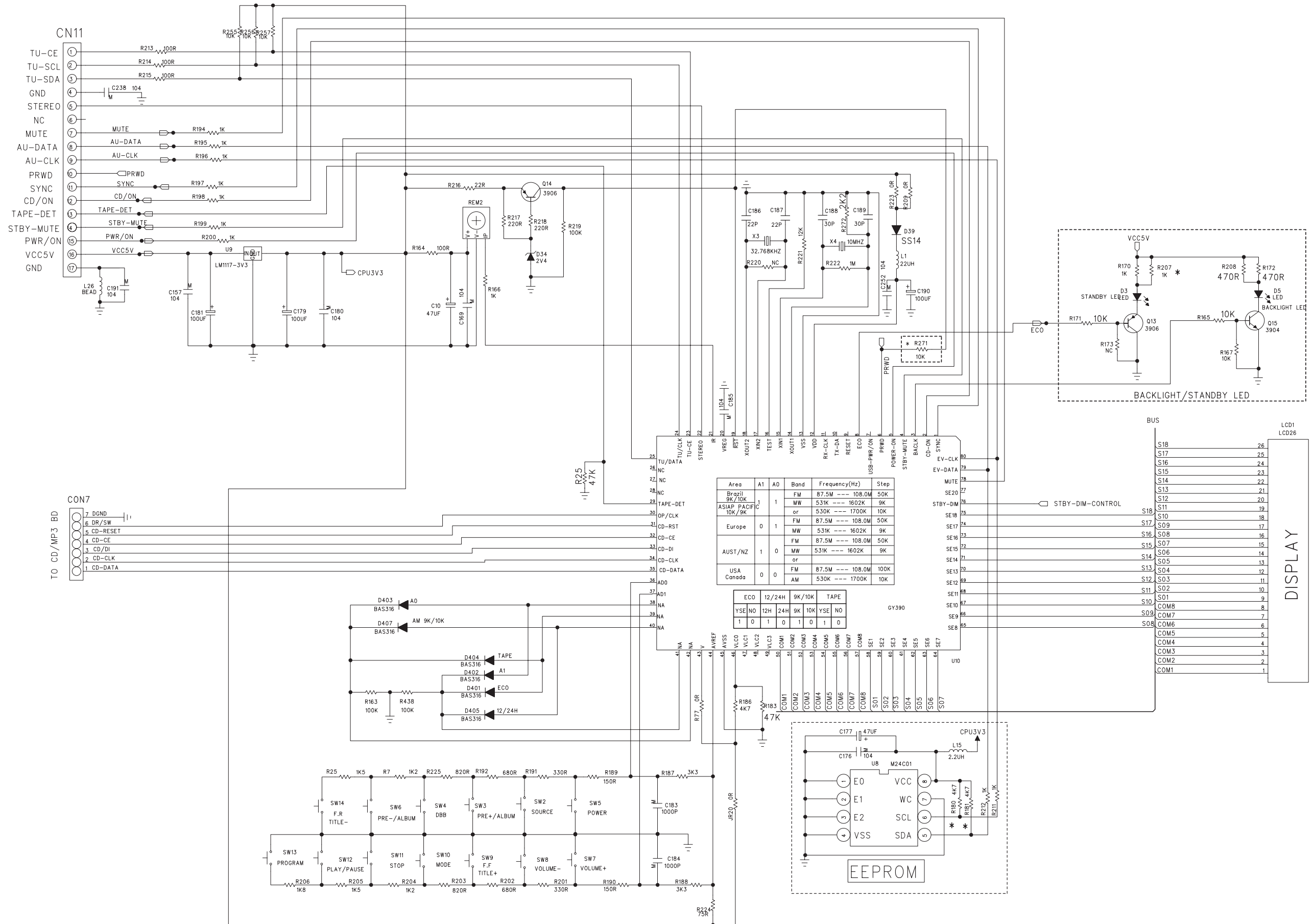
# PCB LAYOUT - FRONT/MCU BOARD (TOP VIEW)



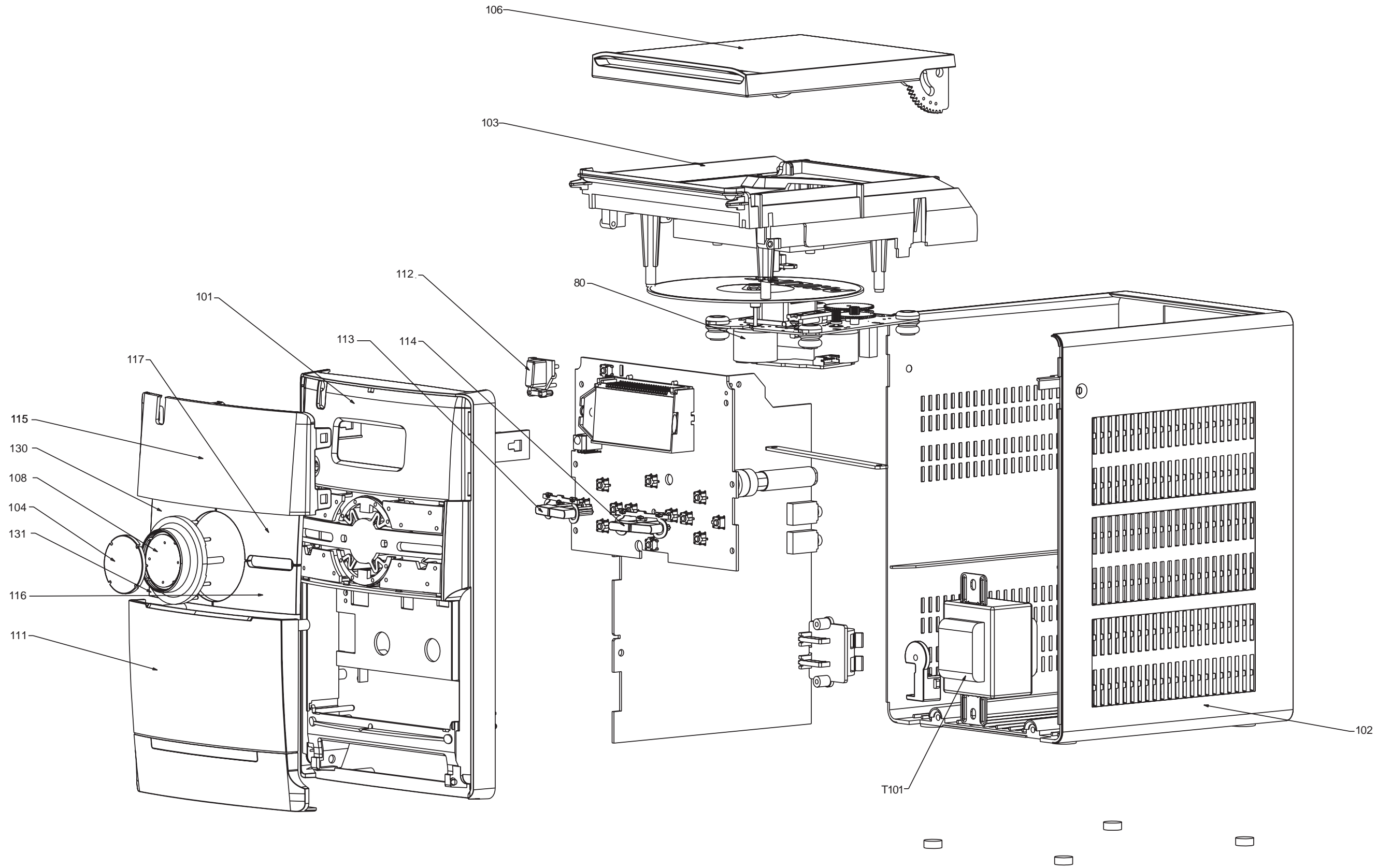
# PCB LAYOUT - FRONT/MCU BOARD (BOTTOM VIEW)



# CIRCUIT DIAGRAM - FRONT/MCU BOARD



**SET MECHANICAL EXPLODED VIEW**



**MECHANICAL & ACCESSORIES PARTS LIST**

2	996510014853	SINGLE SPK BOX /77/55
5	996510006668	REMOTE CONTROL
80	994000005398	CD MECHANISM DA11B3VF
101	996510006654	FRONT CABINET(ABS)
102	996510006655	REAR CABINET-343g
103	996510006656	CD TRAY
104	996510006659	VOL COSMETIC COVER
105	996510006667	SPK GRILL
106	996510006657	CD DOOR
107	994000004392	LASER COVER (FOR SANYO CD)
108	996510006660	VOL BUTTON COVER
109	996510006658	KEYS COVER
110	994000001295	DAMPER GEAR ASS'Y
111	996510006661	CASS DOOR BOGUS
112	996510006662	POWER BUTTON
113	996510006663	PRESET BUTTON
114	996510006664	MODE PROG BUTTON
115	996510006665	DISPLAY LENS (SAN)
116	996510007596	PLAY BUTTON COVER
117	996510007595	STOP BUTTON COVER
119	996510000911	CD DAMPER-BLACK
120	996510000912	CD DAMPER-GREY
125	994000003674	CD DOOR SPRING
130	996510007570	SOURCE BUTTON COVER /55
130	996510014852	SOURCE BUTTON COVER /77
131	996510007571	DBB BUTTON COVER
J001	994000004487	16P FFC 1MM L=170MM
J002	996510008608	17P FLAT FLEXCBL 1.25mm L100mm
J006	△996510006653	AC CORD VDE/BRAZIL APP 1.83M /55
J006	△996510001471	AC CORD IRAM PLUG VDE /77
J007	996510000910	FM ANT SMF-01T-1.3 L=1.1M
J008	996510006652	7P FFC 1MM L=150MM (AB)
J010	△994000001478	AC PLUG ADAPTOR
S001	994000003093	CD DOOR SWITCH 1P1T DTS-03
S002	994000004376	SWITCH SL14-22AH-5AN
T001	△996510006651	TRANSFORMER EI41 127/240V

**Note: Only these parts mentioned in the list are normal service parts.**

**ELECTRICAL PARTS LIST - MAIN BOARD**

C220	994000004351	TRIMMER 20PF 6MM (RED)	U11	996510000881	IC TB2132FNG
C225	994000004351	TRIMMER 20PF 6MM (RED)	U2	994000004532	IC KA7808E
C236	994000000254	TRIMMER 10PF 6MM (WH)	U33	996510000880	IC LM78L08
CF2	994000003642	CER. FILTER LT10.7MA5-A RED	U801	996510006679	IC (SANYO) LC786921W-UPHI-E
CF5	996510006680	CER. FILTER SFU450B	X6	994000004352	CRYSTAL 75KHZ 12.5PF DT-381
CF6	994000004353	DISC. FILTER JT10.7MG77-A	X801	994000004551	CRYSTAL 16.9344MHZ +-20PPM
CON3	996510005450	SPK JACK PT-22V11A			
D52	994000002836	VARICAP DIODE 1SV-149			
D53	996510000879	VARACTOR DIODE SVC201SPA			
D54	996510000879	VARACTOR DIODE SVC201SPA			
D55	994000002836	VARICAP DIODE 1SV-149			
D6	994000003938	RECTIFIER DIODE RL-202			
D7	994000003938	RECTIFIER DIODE RL-202			
D8	994000003938	RECTIFIER DIODE RL-202			
D9	994000003938	RECTIFIER DIODE RL-202			
F1	994000000586	GLASS FUSE W/LEAD 3.15A/250V			
FMANT1	996510002038	FM ANT CONTACT PIN			
IC2	996500039806	IC ET2314 (SOP28)			
IC802	994000004622	IC LA6548NH			
JACK1	994000004369	PHONE JACK TC38-063-05-0			
JACK2	996510000889	PHONE JACK TC38-060-01 RING			
L28	996510000887	FM COIL 3x19.5T			
L29	996510000888	FM COIL 5x3.5T			
L30	994000003646	AXIAL INDUCTOR 10UH 10% 500MA			
L31	996500039350	FM COIL 4.5x2.5T (0.8mm)			
L32	996510000888	FM COIL 5x3.5T			
L801	996510000900	AXIAL INDUCTOR 22UH +-10%			
Q10	996500038609	TRANSISTORS 2W 8050C			
Q11	994000001193	TRANSISTORS KSB772YS			
Q12	994000004338	SMD TRANSISTORS PMBT3904			
Q17	994000004338	SMD TRANSISTORS PMBT3904			
Q18	994000004338	SMD TRANSISTORS PMBT3904			
Q2	994000004338	SMD TRANSISTORS PMBT3904			
Q22	994000001193	TRANSISTORS KSB772YS			
Q24	996500038609	TRANSISTORS 2W 8050C			
Q25	994000004338	SMD TRANSISTORS PMBT3904			
Q3	994000004338	SMD TRANSISTORS PMBT3904			
Q4	994000004338	SMD TRANSISTORS PMBT3904			
Q5	996500038609	TRANSISTORS 2W 8050C			
Q7	994000004338	SMD TRANSISTORS PMBT3904			
Q702	994000001193	TRANSISTORS KSB772YS			
T001	996510006681	AM COIL AD/M7 65:20T			
T2	994000004356	I.F.T 7MM 7AC-249S0 (YELLOW)			
T22	994000004357	I.F.T 7MM 7AL-272HM (RED)			
U101	994000003636	IC D8227 DIP			

**Note: Only these parts mentioned in the list are normal service parts.**



**ELECTRICAL PARTS LIST - FRONT/MCU BOARD**

D001	996510006683	LCD DISPLAY
D39	996500042437	CH-DIODE SS14 SMA/DO-214AC
D5	996500042438	LED LAMP 2x5x7mm (WHITE)
Q14	994000003937	SMD TRANSISTORS PMBT3906
Q15	994000004338	SMD TRANSISTORS PMBT3904
Q33	994000004338	SMD TRANSISTORS PMBT3904
REM2	994000004367	OPTIC SENSER FM-6038TM2-5AN
SW1	996500042444	TACT SWITCH 6x6mm 4.3mm
SW10	996500042444	TACT SWITCH 6x6mm 4.3mm
SW11	996500042444	TACT SWITCH 6x6mm 4.3mm
SW12	996500042444	TACT SWITCH 6x6mm 4.3mm
SW13	996500042444	TACT SWITCH 6x6mm 4.3mm
SW2	996500042444	TACT SWITCH 6x6mm 4.3mm
SW3	996500042444	TACT SWITCH 6x6mm 4.3mm
SW4	996500042444	TACT SWITCH 6x6mm 4.3mm
SW5	996500042444	TACT SWITCH 6x6mm 4.3mm
SW6	996500042444	TACT SWITCH 6x6mm 4.3mm
SW7	996500042444	TACT SWITCH 6x6mm 4.3mm
SW8	996500042444	TACT SWITCH 6x6mm 4.3mm
SW9	996500042444	TACT SWITCH 6x6mm 4.3mm
U10	996510006682	MCU GY390 (FLASH)
U8	994000001236	IC M24C01-WMN6
U9	994000002839	IC LM1117S-3.3
X3	994000004615	CRYSTAL 32.768KHZ 12.5PF
X4	996500039820	CRYSTAL 10MHz 49/US

**Note:** Only these parts mentioned in the list are normal service parts.

## REVISION LIST

### 1.0 Manual 3141 785 32030

Initial Service Manual released.

### 1.1 Manual 3141 785 32031

In this version, version /77 added.

1) Page 7-2 Mechanical & Accessories Parts List updated.

### 1.1 Manual 3141 785 32032

In this version, combine /77 & /55 speaker box to one P/N.

1) Page 7-2 Mechanical & Accessories Parts List updated.

delete:

2 996510006666 SPK BOX PART MCM148/55

keep:

2 996510014853 SINGLE SPK BOX /77/55